

McLean's Mountain Wind Limited Partnership

Exhibit E

Tab 1

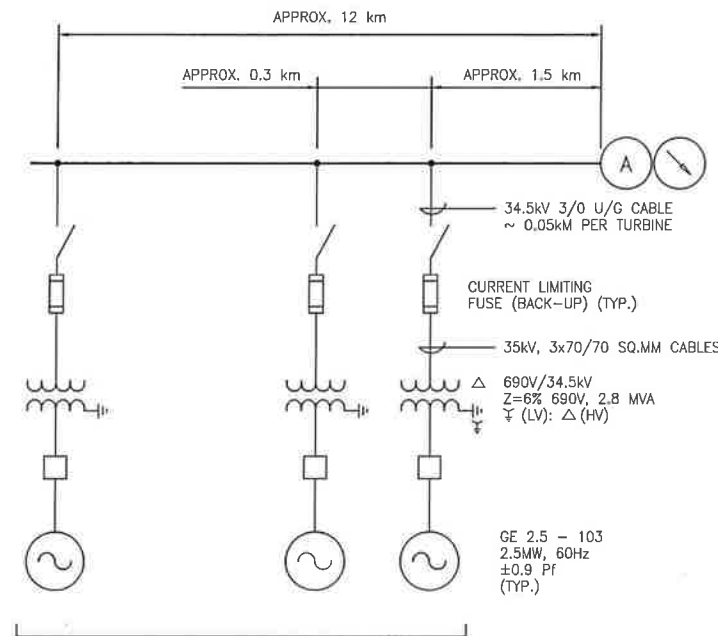
Schedule 2

**DESIGN SPECIFICATIONS AND OPERATION DATA: SINGLE LINE DIAGRAM OF
PROPOSED ELECTRICAL CONNECTION**

60 MW

GENERATOR DATA

Manufacture	GE 2.5-103
Rated Power	2500 kW
Rated Voltage	690 V
Apparent Power (pf = 1)	2525 kW
Rated Frequency	60 Hz
Power Factor	± 0.9 pf



TYPICAL FOR **(B)** **(C)**

ALL GROUPS FOR GE TURBINE:
CONSISTING OF EIGHT (8) 2.5 MW
WIND TURBINE GENERATORS

NOTES:

1. Rating of 115 and 34 kV equipment as required by applicable standards and rules.
2. 34 kV outdoor or indoor type switchgear.
3. Farm electrical protection as per industry requirements.
4. It is proposed that 115 kV line from windfarm to HONI S2B line will arrive at 90° and the connection point will be at S2B line tower. The tower will be selected later.

IMPEDANCE TABLES:

1. TAP LINE

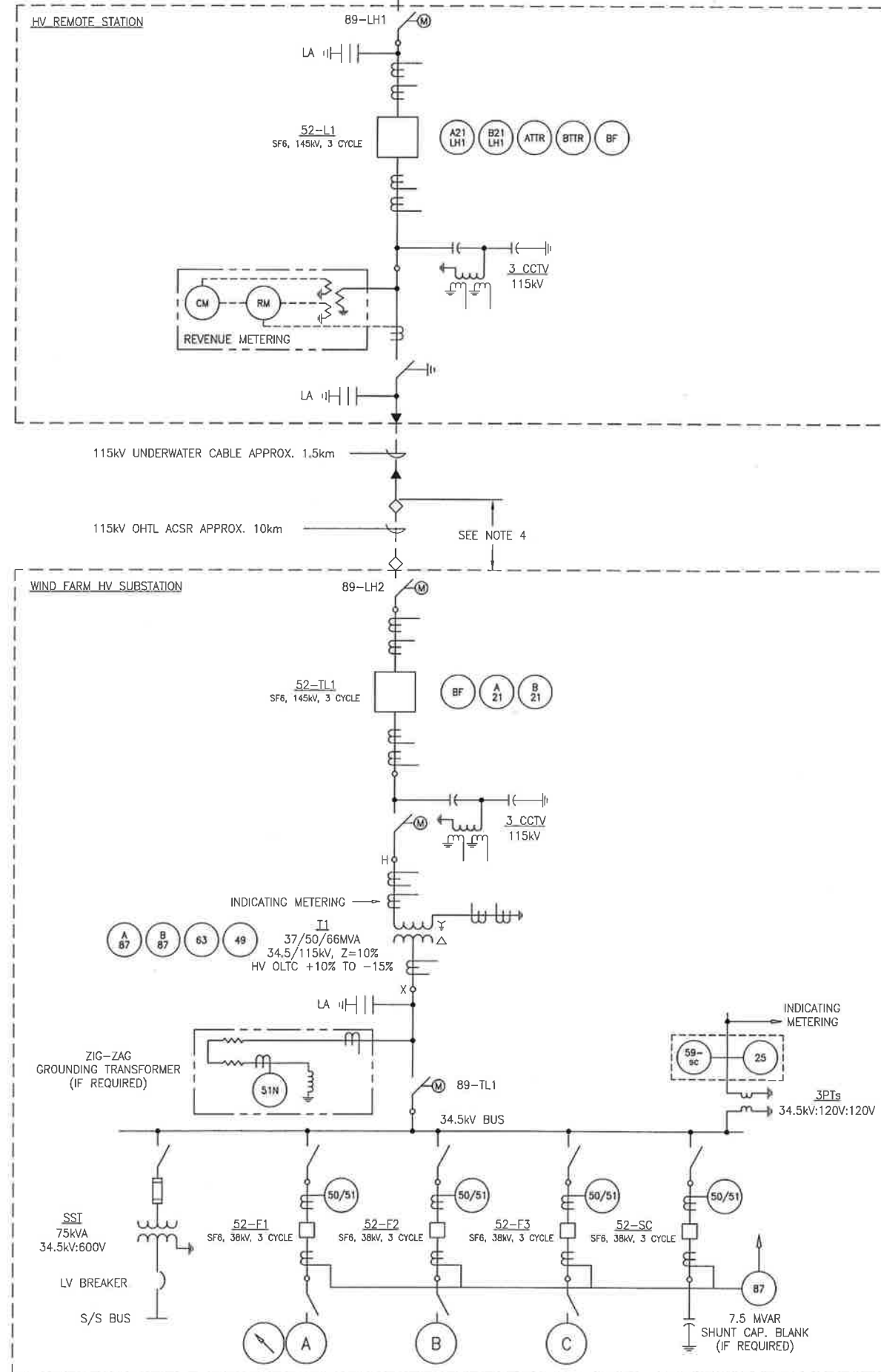
	Underwater Cable	Overhead Transmission Line
Voltage	115 kV	115 kV
Length	1.5 km	10 km
Impedance (pu on 118.05 kV, 100 MVA)	0.09015+j0.345 ohms 0.00065+j0.00248 pu	0.576+j4.9135 ohms 0.00413+j0.03526 pu
Charging (pu on 118.05 kV, 100 MVA)	9.615x10 ⁻⁵ mhos 0.01340 pu	3.364x10 ⁻⁵ mhos 0.00469 pu

2. COLLECTOR SYSTEM

Feeder #	Equivalent Impedance (Ohm)	Equivalent Impedance (pu)	Charging (Mhos, pu)
1	0.569+j1.369	0.04781+j0.11502	7.49x10 ⁻⁵ , 0.00089
2	0.569+j1.369	0.04781+j0.11502	7.49x10 ⁻⁵ , 0.00089
3	0.569+j1.369	0.04781+j0.11502	7.49x10 ⁻⁵ , 0.00089

Per unit data are base on 100 MA & 34.5 kV.

TO ESPANOLA T.S. ← EXISTING HONI 115kV CIRCUIT S2B → MANITOULIN T.S.



REVISIONS

NO	DATE	SYMBOL	REMARKS
0	APR 2010		ISSUED FOR CA ASSESSMENT



STAMP

--	--

THIS DRAWING IS THE PROPERTY OF COGENERATION Associates Limited AND IS LOANED UPON CONDITION THAT IT IS NOT TO BE REPRODUCED OR COPIED IN WHOLE OR IN PART, OR USED FOR FURNISHING INFORMATION TO OTHERS, OR FOR ANY OTHER PURPOSE DETRIMENTAL TO THE INTEREST OF COGENERATION Associates Limited, AND WILL BE RETURNED UPON REQUEST



PREPARED FOR
NORTHLAND POWER INC.

PROJECT
60 MW McLEANS MOUNTAIN WIND FARM PROJECT

DRAWN BY TIEN PHAM VERIFIED BY
SCALE N.T.S. VERIFIED BY
DATE JAN 24, 2011 APPROVED BY C.R.

ISSUED FOR TENDERS
PROJECT No.
TITLE
SINGLE LINE DIAGRAM
DRAWING No. E-03 Rev.0